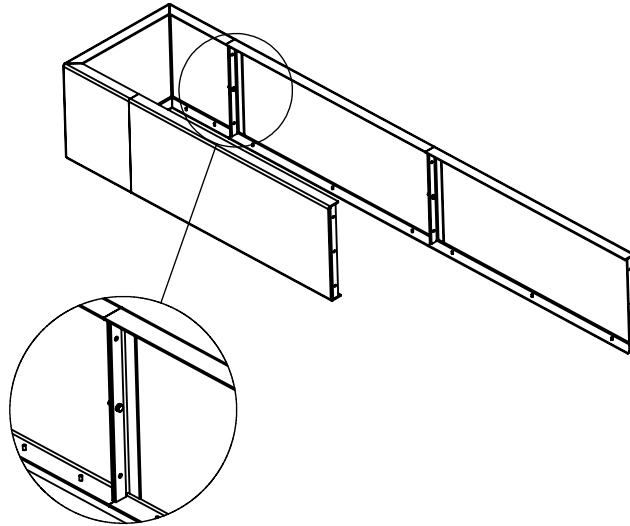
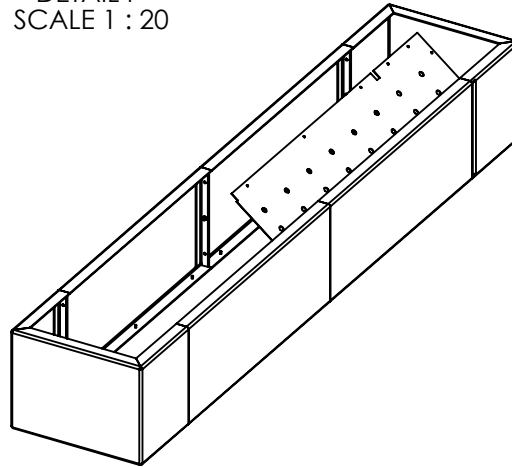


1 Determine the location for the planter. Ensure the surface is flat. One by one attach the panels to each other starting at one end. Bolt loosely with centre bolts only (M10x30 + washer either side + nut).



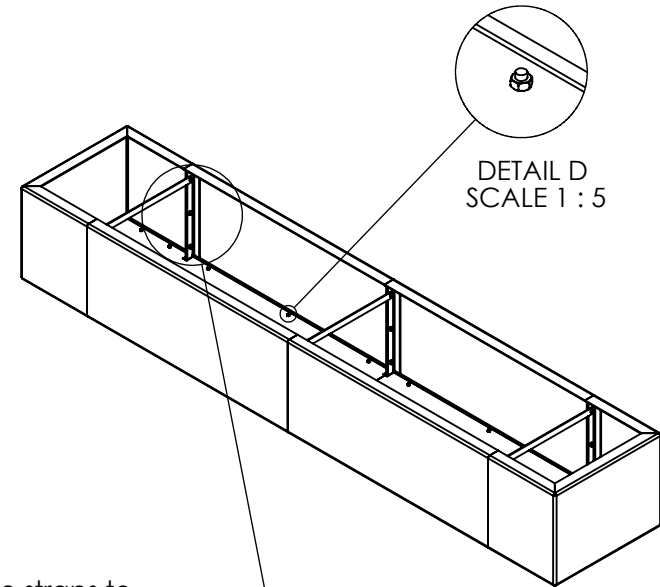
DETAIL F
SCALE 1 : 20

2 Insert the three base panels onto the projecting studs. Take care not to damage the studs.



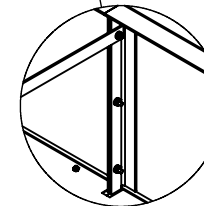
DETAIL E
SCALE 1 : 20

4 Insert the M8 nuts with washers to the base.



DETAIL D
SCALE 1 : 5

3 Install the straps to the top line of fixing holes and insert the remaining M10 bolts + washers + nuts to each of the joints.



product code

s21ALU (4mx0.8mx0.6m) assembly instructions

UNLESS OTHERWISE SPECIFIED, DIMENSIONS ARE IN MM, **DETAILS AND DIMENSIONS SUBJECT TO CHANGE WITHOUT NOTICE**

SOLIDWORKS DRAWING
DO NOT MANUALLY UPDATE

DRG. NO. 27020904.1

ISSUE NO. 1

3RD ANGLE PROJECTION

SHEET SIZE A4

DATE 27.02.09

omos

U1 Military Rd. Ind. Park, Newbridge Rd., Naas, Co. Kildare, Ireland
t + 353 45 899802 f + 353 45 899803 e design@omos.ie