

DETAIL A
SCALE 1 : 10

1 Determine the location for the planter. Ensure the surface is flat. Lay the panels out as they are to be assembled. Note the position of the panels with slots for mounting the benches. One by one attach the panels to each other starting at one end. Bolt loosely with centre bolts first then top and bottom including the tie bars as shown (M10x30 + washer either side + nut).



product code

s21 (L6x3.6x1.2x0.6m) assembly instructions

UNLESS OTHERWISE SPECIFIED, DIMENSIONS ARE IN MM, **DETAILS AND DIMENSIONS SUBJECT TO CHANGE WITHOUT NOTICE**

SOLIDWORKS DRAWING
DO NOT MANUALLY UPDATE

DRG. NO. 05050901.1

ISSUE NO. 1

3RD ANGLE PROJECTION

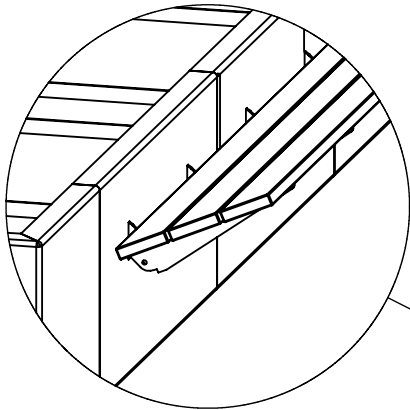
SHEET SIZE A4

DATE 05.05.09

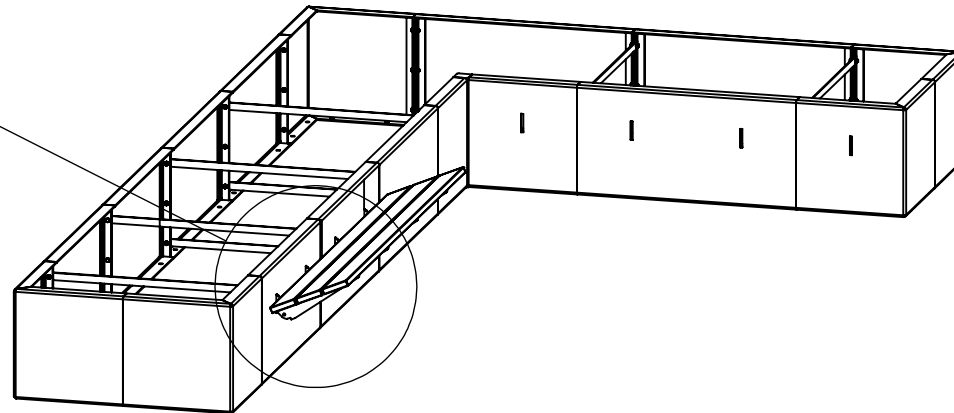
omos

U1 Military Rd. Ind. Park, Newbridge Rd., Naas, Co. Kildare, Ireland
t + 353 45 899802 f + 353 45 899803 e design@omos.ie

2 Align the first bench with the slots in the panels. Tip it upwards and feed it into the slots (if necessary loosen the screws in the timber boards to allow movement of the brackets from side to side). Insert the bolts (M10x30 + washer either side + nut) from inside the planter. Tighten the 8 no. bolts. Repeat this procedure with the second bench.



DETAIL B
SCALE 1 : 20



product code

s21 (L6x3.6x1.2x0.6m) assembly instructions

UNLESS OTHERWISE SPECIFIED, DIMENSIONS
ARE IN MM, **DETAILS AND DIMENSIONS**
SUBJECT TO CHANGE WITHOUT NOTICE

SOLIDWORKS DRAWING
DO NOT MANUALLY UPDATE

DRG. NO. 05050902.1

ISSUE NO. 1

3RD ANGLE PROJECTION

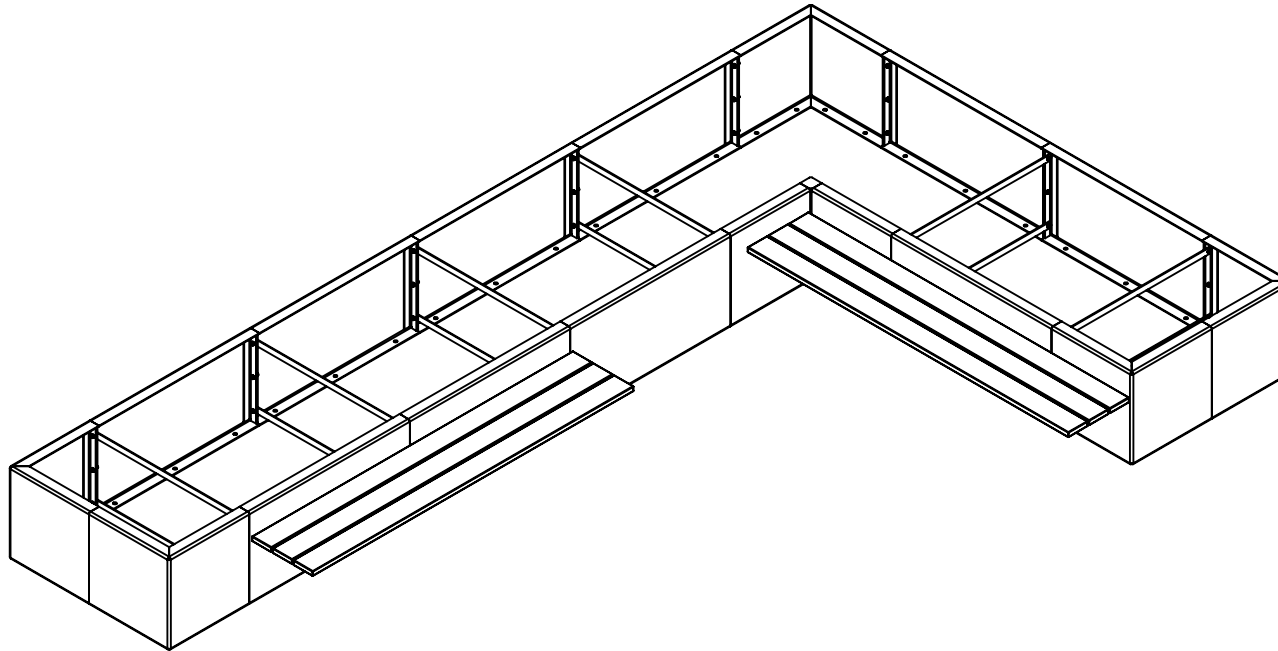
SHEET SIZE A4

DATE 05.05.09

omos

U1 Military Rd. Ind. Park, Newbridge Rd., Naas, Co. Kildare, Ireland
t + 353 45 899802 f + 353 45 899803 e design@omos.ie

3 Ensure all panels form straight lines before all the bolts are tightened. Finally tighten all bolts (and timber screws if loosened).



product code

s21 (L6x3.6x1.2x0.6m) assembly instructions

UNLESS OTHERWISE SPECIFIED, DIMENSIONS
ARE IN MM, **DETAILS AND DIMENSIONS**
SUBJECT TO CHANGE WITHOUT NOTICE

SOLIDWORKS DRAWING
DO NOT MANUALLY UPDATE

DRG. NO. 05050903.1

ISSUE NO. 1

3RD ANGLE PROJECTION

SHEET SIZE A4

DATE 05.05.09

omos

U1 Military Rd. Ind. Park, Newbridge Rd., Naas, Co. Kildare, Ireland
t + 353 45 899802 f + 353 45 899803 e design@omos.ie